

SVS VALVE PLUG FORM A 18MM FIELD-WIREABLE

24V LED PG9 Power Switch

Form A (18 mm)

12...30 V DC

LED and switching amplifier

PG9

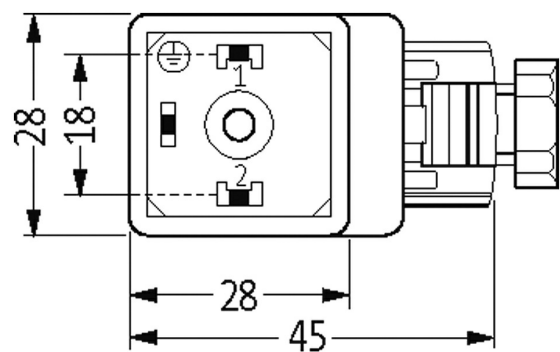
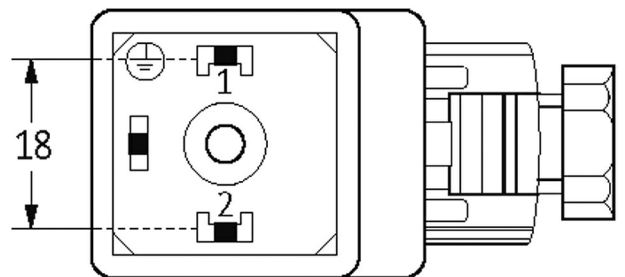
short-circuit and overload protected

Plastic housings with good resistance against chemicals and oils.

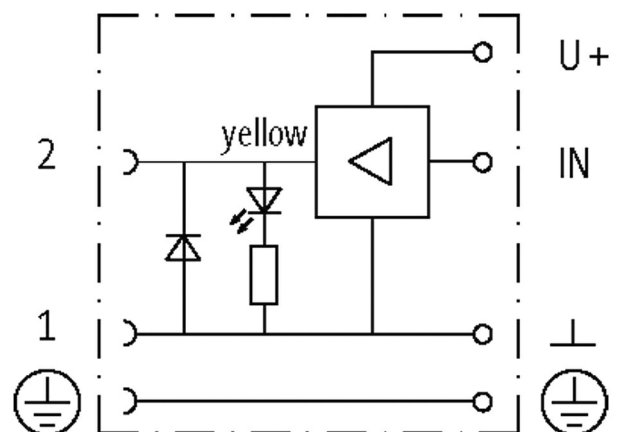
The resistance to aggressive media should be individually tested for your application. Further details on request.

[Link to Product](#)

Illustration



Height: 41 mm



Product may differ from Image

Form	
Form	29501
General data	
Temperature range	-20...+60 °C
Technical Data	
Operating voltage	12...30 V DC
Operating current per contact	max. 2 A (short-circuit protected)
Configuration	2 contacts + PE
Locking of ports	M3 (recommended torque 0.4 Nm)
Protection	IP65 inserted and tightened (EN 60529)
Commercial data	
country of origin	CZ
customs tariff number	85366990
EAN	4048879187381
eClass	27279221
Packaging unit	1